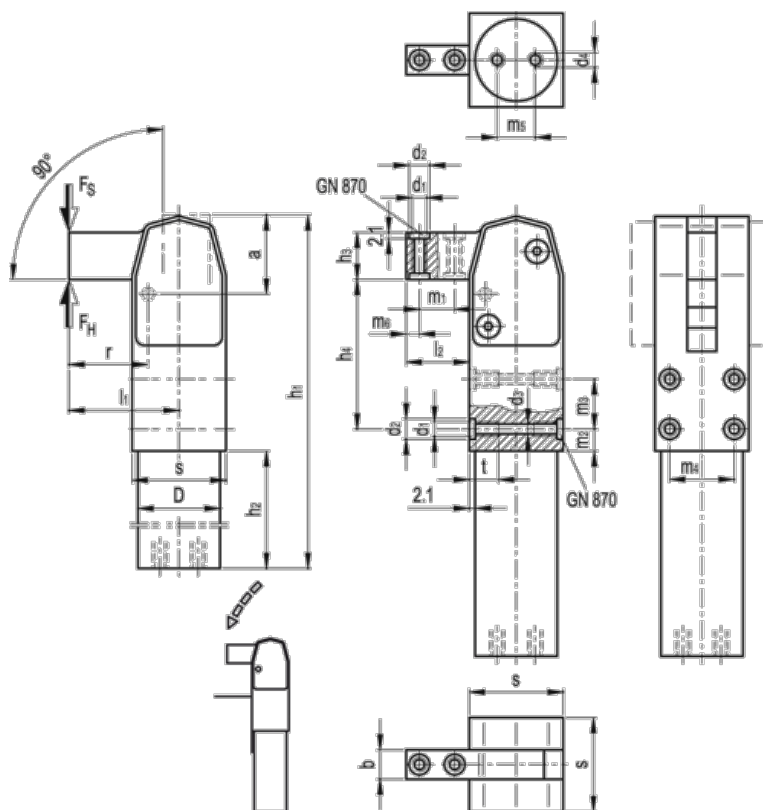


Article number: 201000055

Description: E+G Power clamp
GN 864-50-BL-FG

Measures



a	= 52.5	h1 -0.5	= 279	m2	= 62
b -0.2	= 18	h2	= 114	m3 +/-0.01	= 21
Clamping force at 6 bar (approx.)	= 9000	h3	= 31	Weight (g)	= 3800
d1	= M10	h4	= 114	m5	
d2 H8	= 13	Holding force FH (N)	= 13300	m6	
d3	= 8.5	l1	= 279	Max clamping moment (Nm)	
d4	= G 1/8	l2	= 72.2	Piston diameter	
d h8	= 60	m1 +/-0.01	= 27	r	